

38-1.2-_-EV4

Wall Mounted 2 Hole Lavatory Set

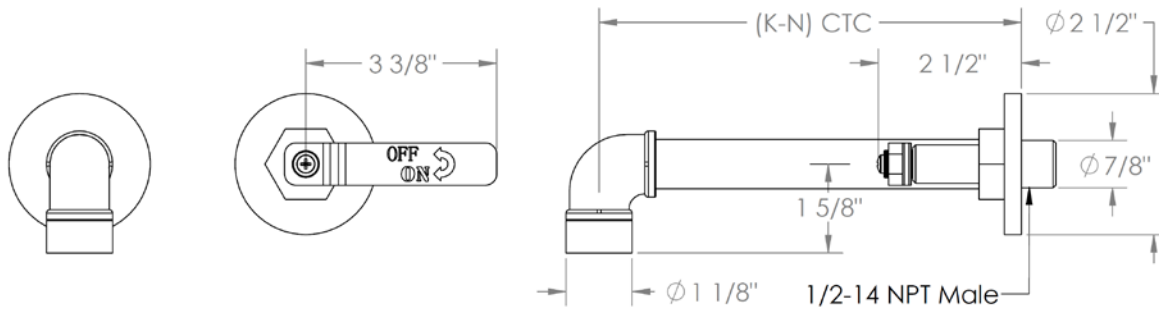
For use with SS-SHV1.2 concealed rough

Flow Rate: 1.2 GPM

Specify (K-N) or contact customer service for additional sizes



PROJECTION
K = 5.5"
L = 6.5"
M = 7.5"
N = 8.5"



Meets the applicable requirements of ASME A112.18.1-2005/CSA B125.1-05, entitled "Plumbing Supply Fittings"

WATERMARK DESIGNS 6/18/2018