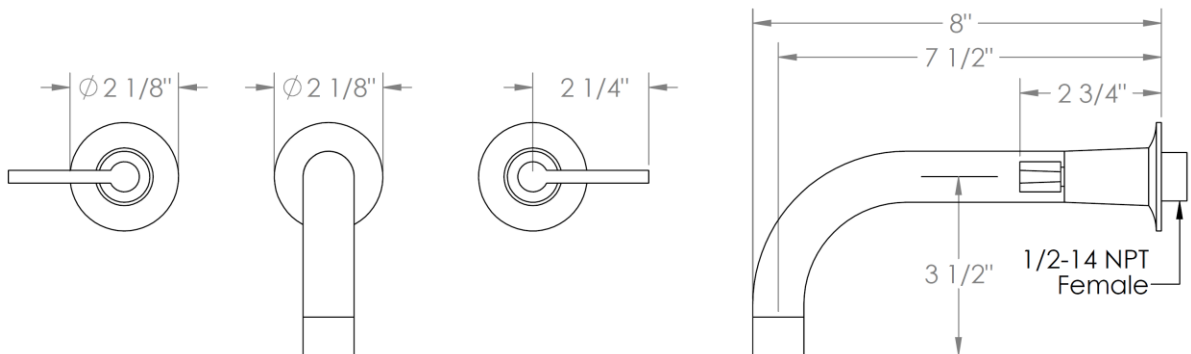


34-2.2-DD2

Wall Mounted 3 Hole Lavatory Set
For use with SS-THV2.2 concealed rough
Flow Rate: 1.2 GPM



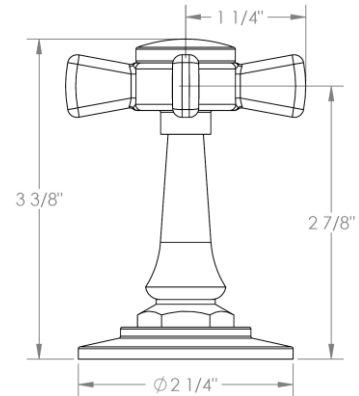
Meets the applicable requirements of ASME A112.18.1-2005/CSA B125.1-05, entitled "Plumbing Supply Fittings"

WATERMARK DESIGNS 8/21/2018

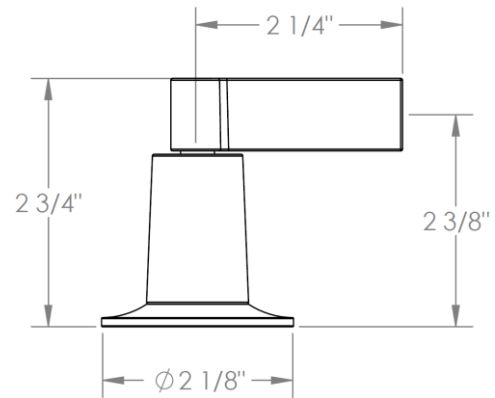
350 Dewitt Ave Brooklyn NY 11207 USA T 718 257 2800 F 718 257 2144 info@watermark-designs.com

Haley Handle Trim Options

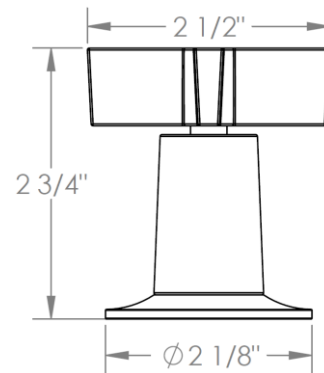
B9M – SISTINA



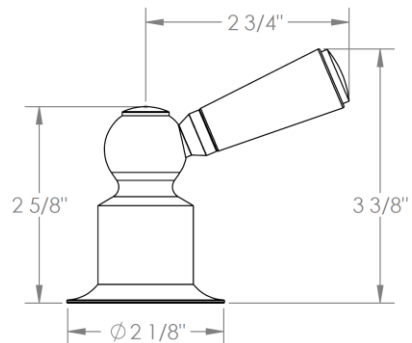
DD2 – ASTAIRE



DD3 – GARBO

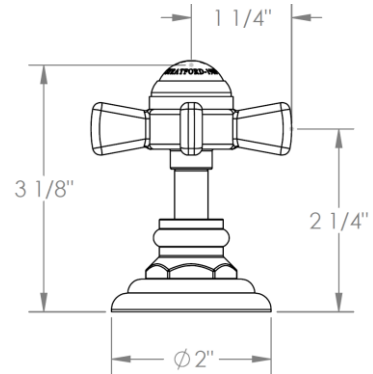


H4 – HARMONIE



Haley Handle Trim Options

S1 – PRESTON



S1A – NOTTINGHAM

