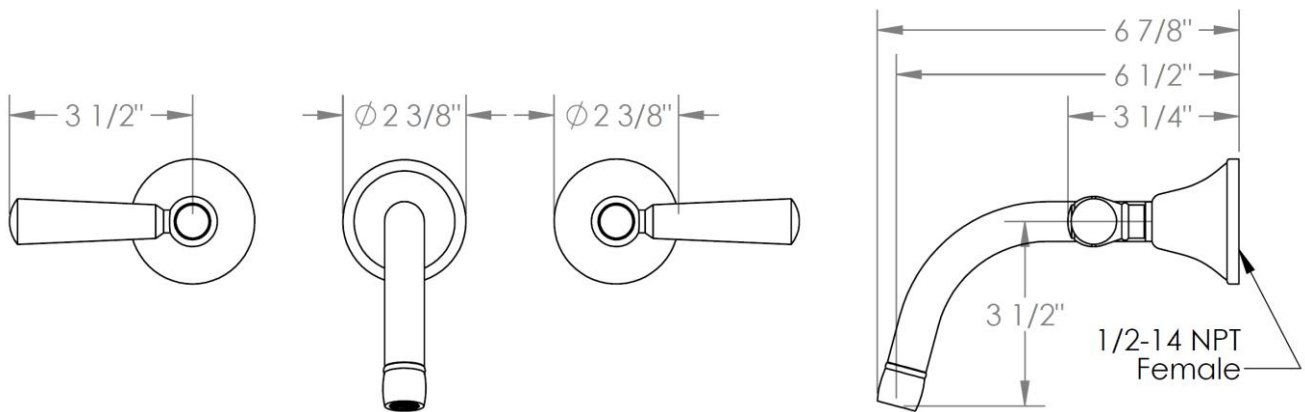


313-2.2S-__

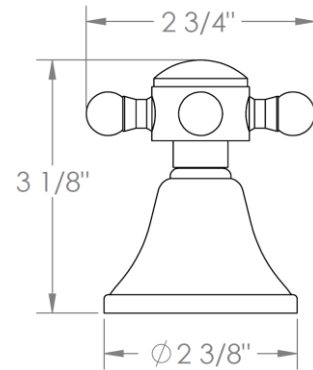
Wall Mounted 3 Hole Lavatory Set
Requires SS-THV2.2 concealed rough
Flow Rate: 1.2 GPM



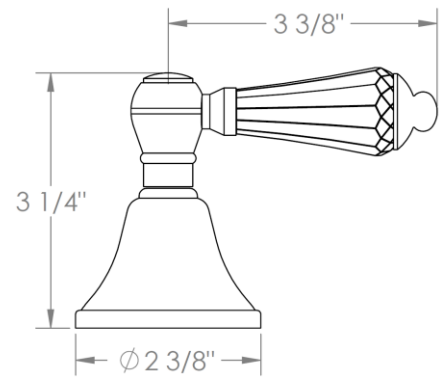
Meets the applicable requirements of ASME A112.18.1-2005/CSA B125.1-05, entitled "Plumbing Supply Fittings"

HANDLE TRIM OPTIONS

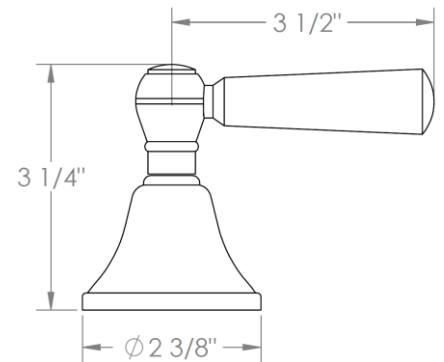
AX – LOS ANGELES



SW – SAN FRANCISCO



WW – BOSTON



Y2 – WILLIAMS

