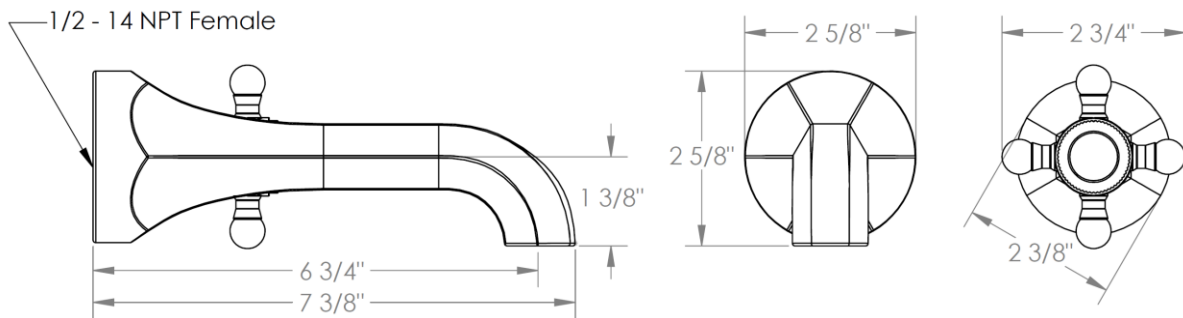
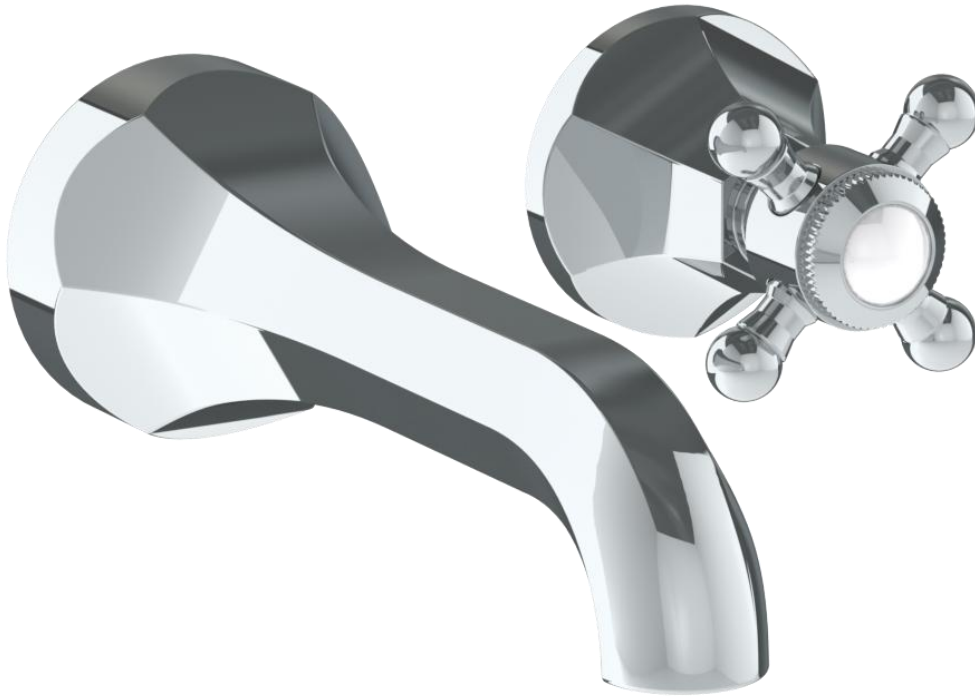


312-1.2-X

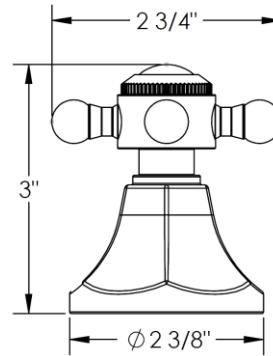
Wall Mounted 2 Hole Lavatory Set with 6 3/4" CTC Spout
For use with SS-SHV1.2 concealed rough
Flow Rate: 1.2 GPM



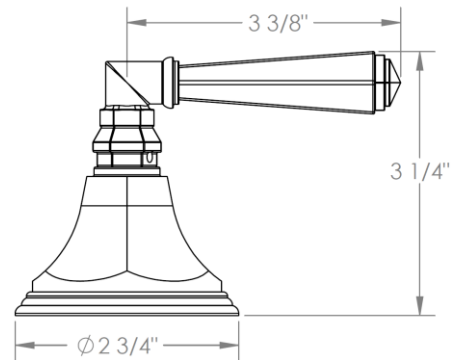
Meets the applicable requirements of ASME A112.18.1-2005/CSA B125.1-05, entitled "Plumbing Supply Fittings"

Gramercy Handle Trim Options

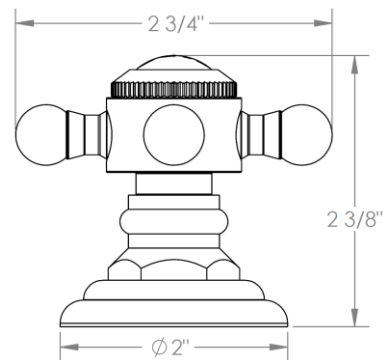
X – OXFORD



Y – LYONS



V – WALES



Y2 – WILLIAMS

