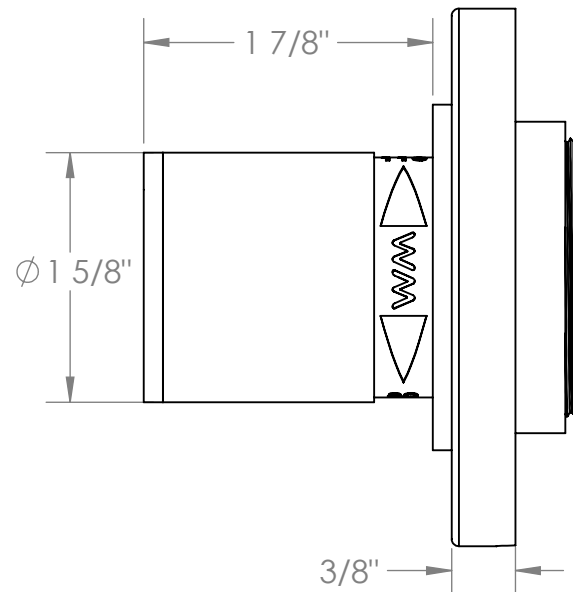
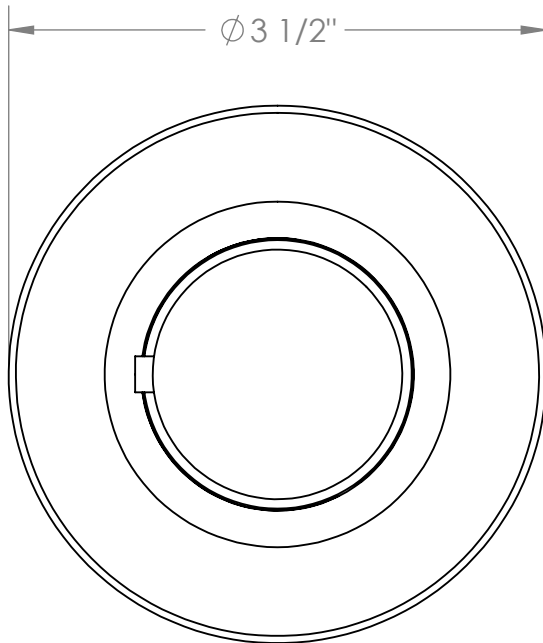
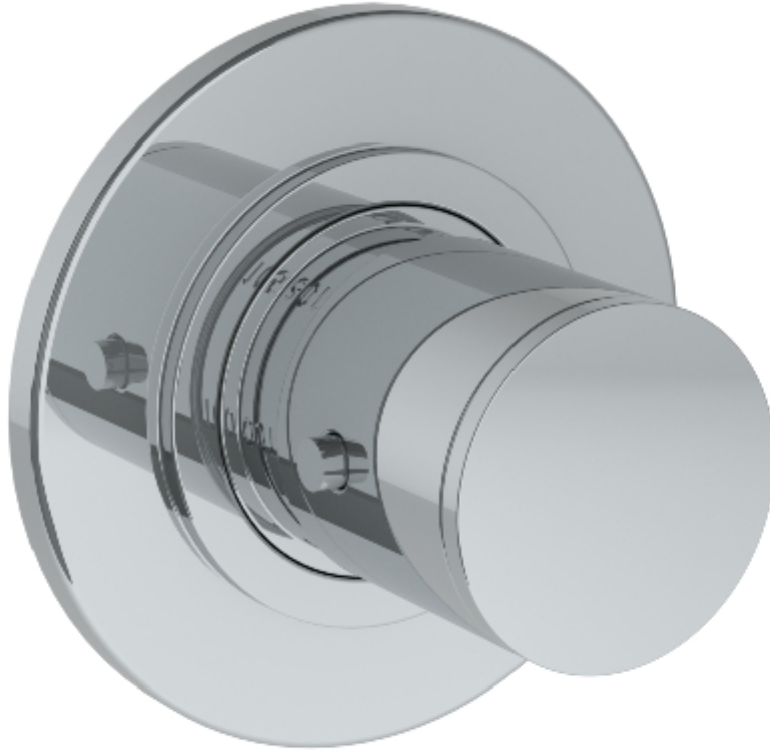


22-T15-TIB

Wall Mounted Thermostatic Shower Trim, 3 1/2" dia.
Requires SS-TH50 Thermostatic Valve



Meets the applicable requirements of ASME A112.18.1-2005/CSA B125.1-05, entitled "Plumbing Supply Fittings"