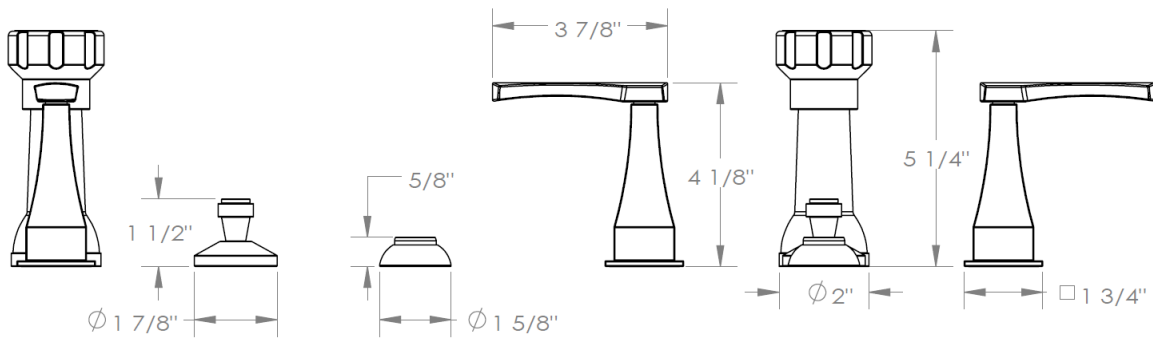


125-4-BG4

Deck Mounted 4-Hole Bidet
Includes MPU7 pop-up drain



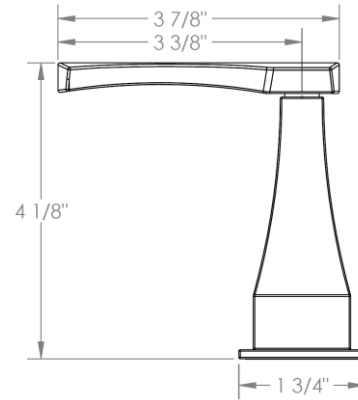
Meets the applicable requirements of ASME A112.18.1-2005/CSA B125.1-05, entitled "Plumbing Supply Fittings"

WATERMARK DESIGNS 11/25/2014

350 Dewitt Ave Brooklyn NY 11207 USA T 718 257 2800 F 718 257 2144 info@watermark-designs.com

Chelsea Handle Trim Options

BG4 – JOYCE



BG5 – MARKET

