

Vivian® Four-Hole Roman Tub Filler Trim with Cross Handles

FEATURES

- Cross handles
- Solid brass construction
- Includes handshower and 60" metal shower hose
- Handshower shall have a maximum flow rate of 2.5 gpm (9.5 lpm)
- For use with the Four-Hole Roman Tub Filler Rough-In (TBMV)

COLORS/FINISHES

- #CP Polished Chrome
- #BN Brushed Nickel
- #PN Polished Nickel



CODES/STANDARDS

- Meets or exceeds ASME A112.18.1/CSA B125.1
- Certifications: IAPMO(cUPC), State of Massachusetts and others
- Code Compliance: UPC, IPC, NSPC, NPC Canada, and others



PRODUCT SPECIFICATION

Two-handle Four-Hole Roman tub filler shall have a solid brass construction. Product shall have cross handles. Product shall include handshower and 60" metal shower hose. Product requires TBMV Rough-In, sold separately. Product shall be TOTO Model TB220S# ____.

TB220S

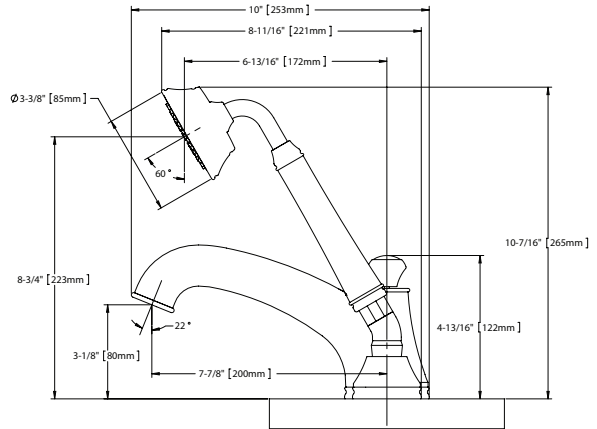
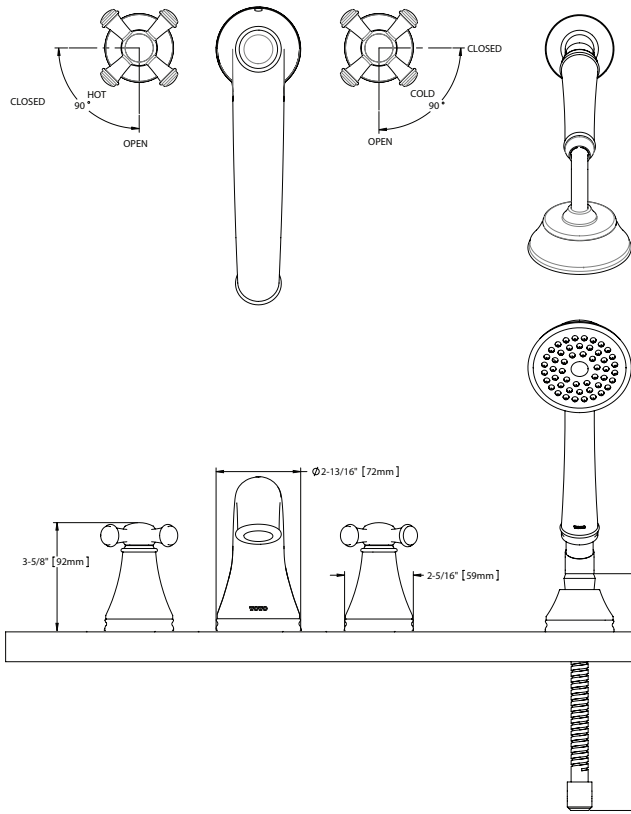
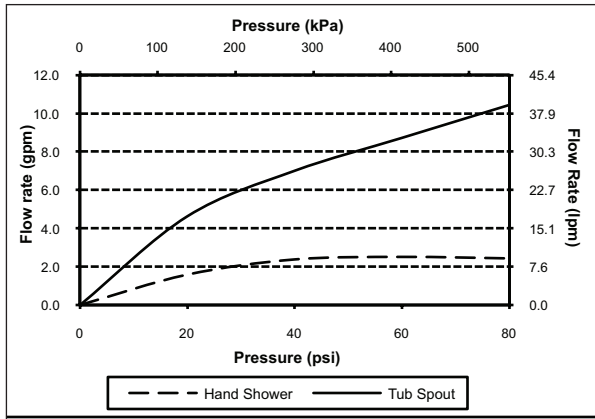
Vivian® Four-Hole Roman Tub Filler Trim with Cross Handles

SPECIFICATIONS

- Warranty: Lifetime Limited Warranty (Residential Use)
One Year (Commercial Use)
- Material: Brass
- Shipping Weight: 9.7 lbs.
- Shipping Dimensions: 11-1/2" L x 8-3/8" W x 5-7/8" H

INSTALLATION NOTES

VALVE REQUIRED:
Four-Hole Roman Tub Filler Rough-In model TBMV sold separately.



TOTO®

These dimensions and specifications are subject to change without notice