

# Ideal ThinTop™ Workstation. 5S

## SPECIFICATIONS

### IWS-5-S-TT-WA



American Black Walnut

### IWS-5-S-TT-GT



Graphite Wood Composite

### IWS-5-S-TT-BA



Natural Golden Bamboo

### IWS-5-S-TT-GR



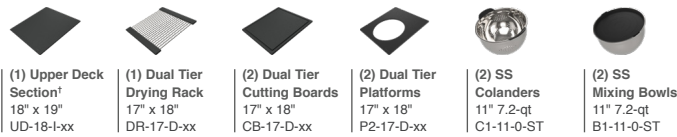
Exclusive Gray Resin\*

### IWS-5-S-TT-WH



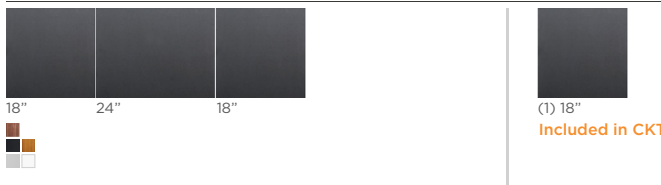
Designer White Resin\*

### Culinary Tools included (CKT-17)



### Upper Deck.

Cover set **UD-5-3P-WA/GT/BA/GR/WH** Walnut, Graphite, Bamboo, Gray or White Resin



Sections Walnut, Graphite, Bamboo, Gray or White Resin



### Specifications

Single bowl  
Users: 1-2  
Culinary Tools included: Eight  
Galley Taps recommended: Two  
Outside dimensions: 57 1/2" x 19 1/2" x 11 1/16"  
Interior dimensions: 56" x 18" x 10 3/4"  
Countertop cutout: 56" x 18"  
Basin area: 56" x 16"  
Minimum cabinet size: 60" or 150cm

### Basin (KSO-5-S-TT-SS)

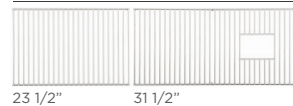
16GA 316L stainless steel indoor/outdoor  
SilentArmor™ sound reduction technology  
Angel finish  
Three tier design  
Star™ groove pattern  
Reversible side drain  
Drain cover included  
Limited Lifetime Warranty  
Made in the USA  
ASME A112.19.3/CSA B45.4 certified  
cUPC™ certified

### Customize Your Galley

Add 7-12" length	9" depth
Add 1-6" length	Center drain
Add 18" DryDock	WorkTop™
Add 12" DryDock	*Color coded labels available
Apron front	

### Recommended Basin Accessories & citrine.

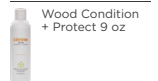
Bottom Grate set **BG-5-S-2-SS** Stainless Steel



**CIT-09-SS-C**



**CIT-09-WD-C**



**CIT-04-WD-B**



**Strainer M-DRN-MSS**  
Angel Finish 304 Stainless Steel



**Disposal Strainer G-DRN-MSS**  
Angel Finish 304 Stainless Steel



**Auto Strainer** Angel Finish 304 Stainless Steel with Polished or Matte knob

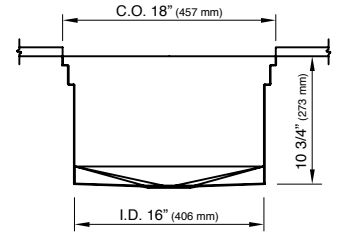
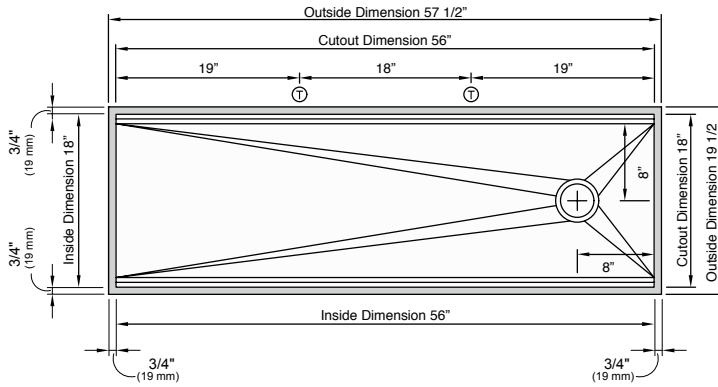


# Ideal ThinTop™ Workstation. 5S

SPECIFICATIONS | Right Hand Drain Orientation



## Tap Hole Specifications



### SUGGESTED GALLEY TAP PLACEMENT GUIDE

Suggested maximum inside corner radius of countertop cutout 3/8"

① Galley Tap 1 3/8" min to 1 1/2" max hole diameter

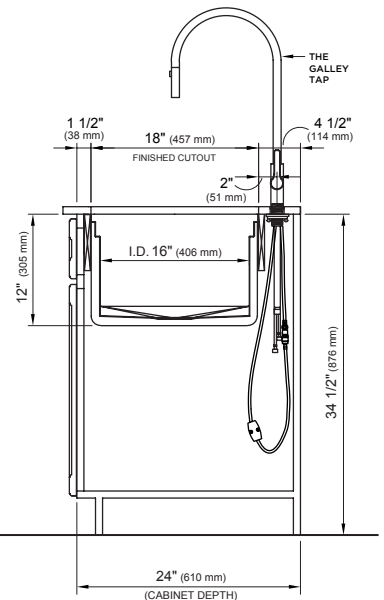
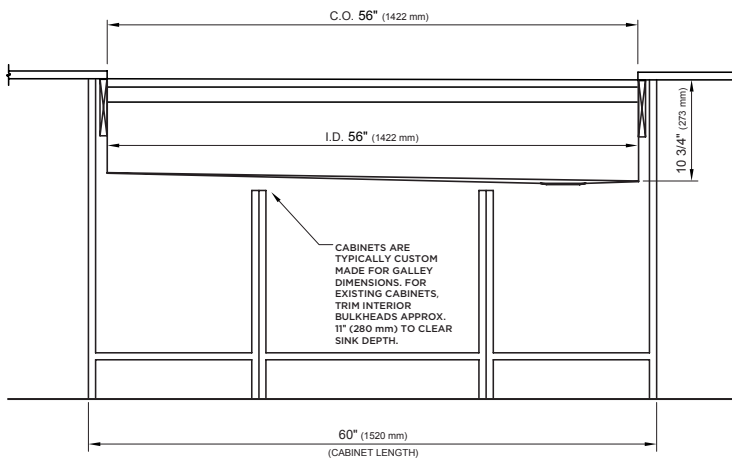
Center Tap hole diameters 2" behind cutout

Note: Galley Hot & Cold Tap requires a minimum 8" clearance to center if installed to the right of the Galley Tap

Note: Tap Placements are for right hand or left hand drain orientation

Call 800.375.4255 or email [customercare@thegalley.com](mailto:customercare@thegalley.com) for additional guidance on Tap and Tap Accessory placements

## Countertop Cutout Plan



STAINLESS STEEL COMPLIANCE ASME A112. 19.3-2008/CSA B45.4-08

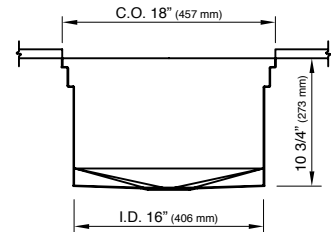
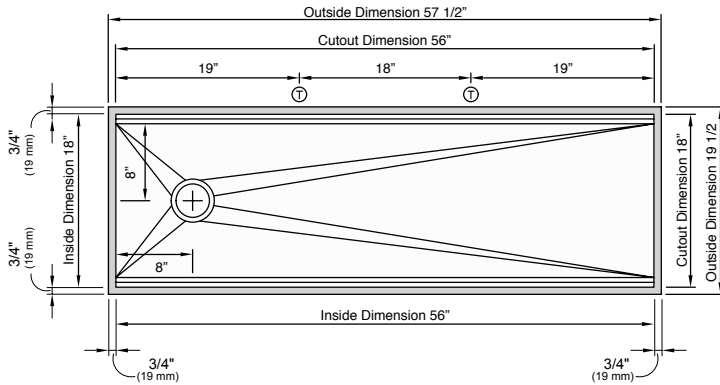
WE RESERVE THE RIGHT TO MAKE REVISIONS WITHOUT NOTICE IN THE DESIGN OF PRODUCTS OR IN PACKAGING UNLESS THIS RIGHT HAS SPECIFICALLY BEEN WAIVED AT THE TIME THE ORDER IS ACCEPTED.

DWG and DXF templates available on our website:

[TheGalley.com/specification-library](http://TheGalley.com/specification-library)

Questions? For additional assistance, please contact  
The Galley's Customer Care Department at 800.375.4255

## Tap Hole Specifications



### SUGGESTED GALLEY TAP PLACEMENT GUIDE

Suggested maximum inside corner radius of countertop cutout 3/8"

① Galley Tap 1 3/8" min to 1 1/2" max hole diameter

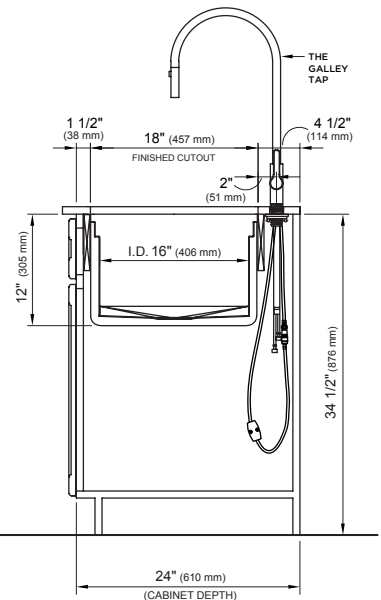
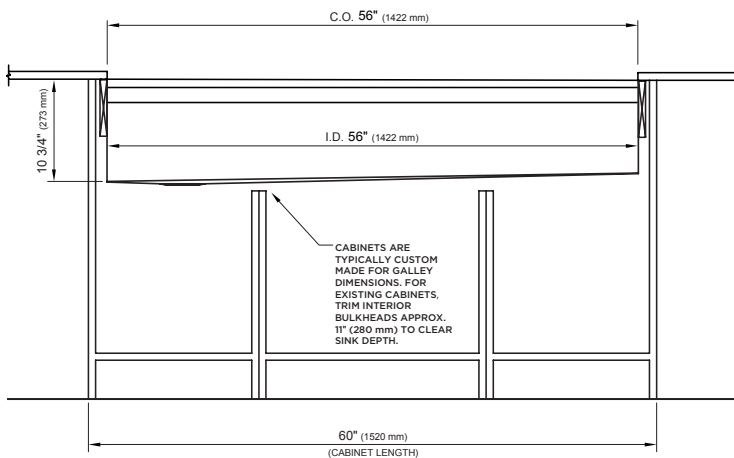
Center Tap hole diameters 2" behind cutout

Note: Galley Hot & Cold Tap requires a minimum 8" clearance to center if installed to the right of the Galley Tap

Note: Tap Placements are for right hand or left hand drain orientation

Call 800.375.4255 or email [customercare@thegalley.com](mailto:customercare@thegalley.com) for additional guidance on Tap and Tap Accessory placements

## Countertop Cutout Plan



STAINLESS STEEL COMPLIANCE ASME A112. 19.3-2008/CSA B45.4-08

WE RESERVE THE RIGHT TO MAKE REVISIONS WITHOUT NOTICE IN THE DESIGN OF PRODUCTS OR IN PACKAGING UNLESS THIS RIGHT HAS SPECIFICALLY BEEN WAIVED AT THE TIME THE ORDER IS ACCEPTED.

DWG and DXF templates available on our website:

[TheGalley.com/specification-library](http://TheGalley.com/specification-library)

Questions? For additional assistance, please contact  
The Galley's Customer Care Department at 800.375.4255