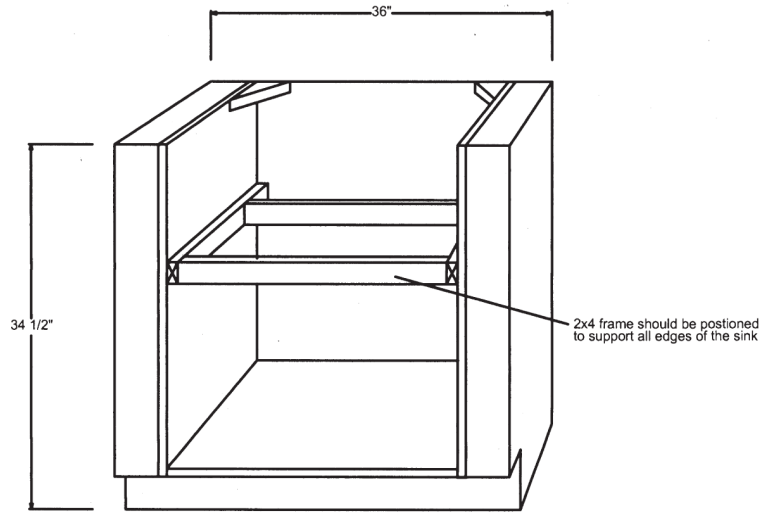


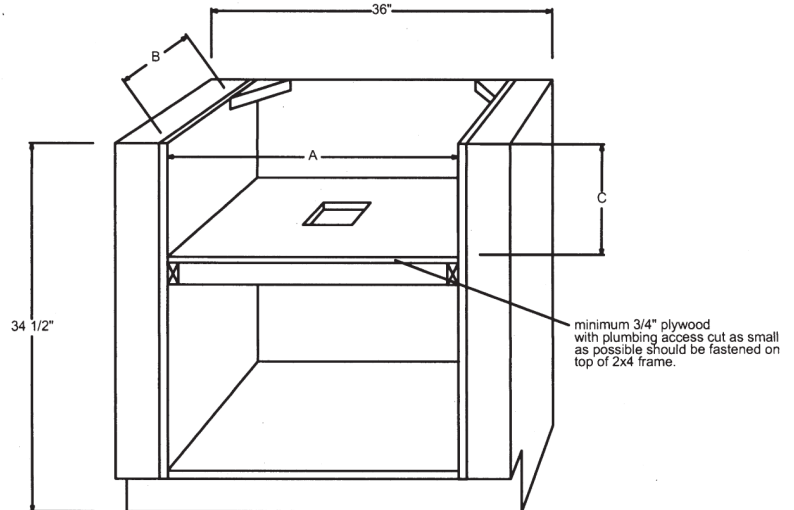
**C04-CNC, C04-KT, CP0433 cls,
C04-33, C04-33D, C04-NF, C04-V01**

A= 33"
B = 19-5/8" min.
C = 8-1/2"



C04-CNC KP, C04-BSKT KP

A= 33"
B = 18-5/8" min.
C = 8-1/2"



C04-I0

A= 26-1/2"
B = 16-1/8" min.
C = 8-1/2"

CP-04

A= 30"
B = 16-5/8" min.
C = 8-1/2"

NOTES:

- Due to size variations, final cabinet and countertop construction should be done with the sink on hand.
- Stone Forest is not responsible for the accuracy of any dimensions. This is to serve as a rough guide only. Measurements are based on a 1-1/2" counter/deck thickness and assuming rim of sink is flush with surface of countertop.
- Garbage Disposal not to exceed 3/4 HP
- The Stone Forest warranty does not cover damage to product caused by improper installation.
- USE ONLY STONE-SAFE PLUMBER'S PUTTY, LIKE STAY PUT ULTRA.