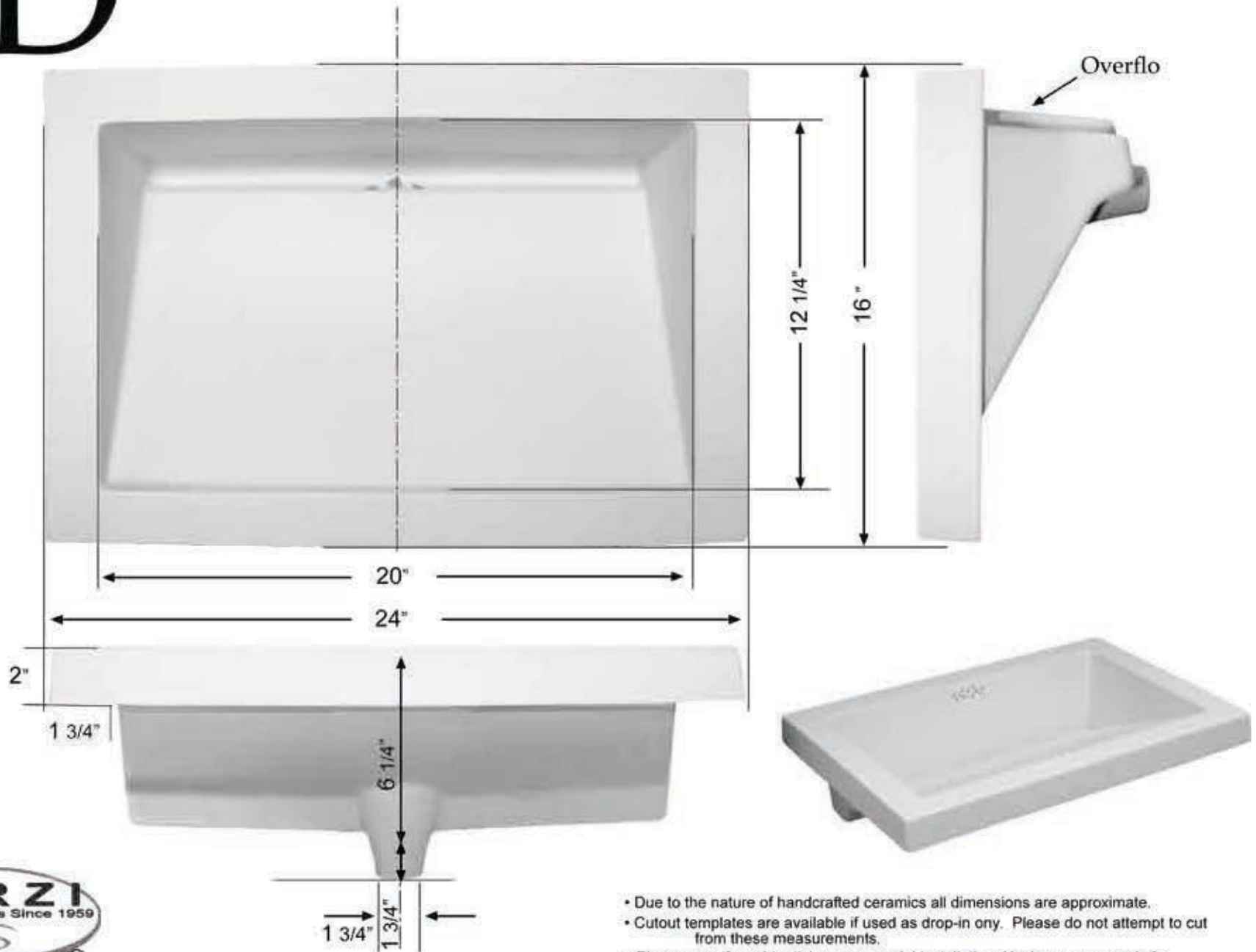


# LD

## 16" x 24" Large Urban Trough



- Due to the nature of handcrafted ceramics all dimensions are approximate.
- Cutout templates are available if used as drop-in only. Please do not attempt to cut from these measurements.
- Please specify residential or commercial installation. Upcharge may apply for commercial drain assembly, contact us for details.