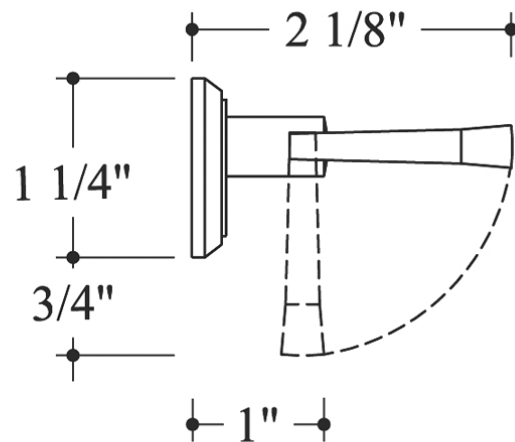
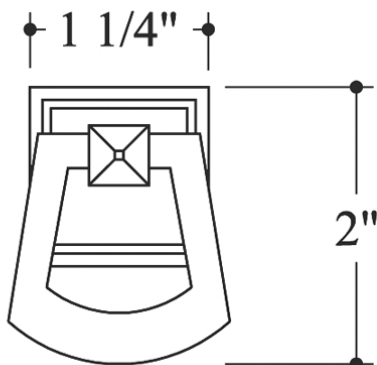


HAMILTON SINKLER

BP137 Heritage Cabinet Bale Pull

Available in BRONZE PATINA finish

Base Material:
— Solid Bronze



BP-137

Package includes:

1 Slotted round head machine screw, $\frac{8}{32}$ " x 1"

1 Slotted round head machine screw, $\frac{8}{32}$ " x 1 1/2"