



AMERICAN STANDARD

LANDFAIR™

1/2 OR 3/4"

THERMOSTATIC TRIM



- Ceramic disc valve cartridge
- Cast brass valve body with built-in check stops
- Adjustable hot limit safety stop
- Wax thermostatic unit permits shuttle valve to move between the hot and cold seats to maintain the preselected constant water temperature
- Porcelain and metal handle buttons included

CODES AND STANDARDS

Meets or Exceeds ASME A112.18.1/
CSA B125.1/ASSE 1016

AVAILABLE FINISHES

Polished Chrome
Platinum Nickel
Carbon Bronze

FINISH CODE

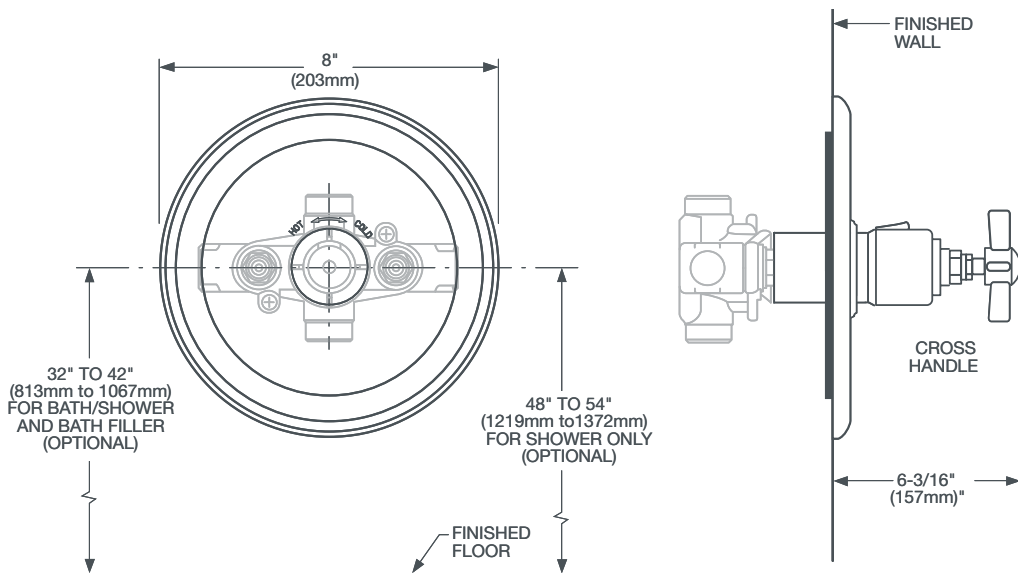
100
150
110

DESCRIPTION

1/2" or 3/4" Thermostatic Trim
1/2" Thermostatic Rough Valve
3/4" Thermostatic Rough Valve

PRODUCT NUMBER

D35107514.XXX
D35000510.191
D35000530.191



IMPORTANT: These measurements are subject to change or cancellation. No responsibility is assumed for use of superseded or voided pages.



Meets the Americans with Disabilities Act Guidelines and ANSI A117.1 Requirements for the physically challenged.