

Darby Wall Tub Spout
15-WTS
Installation Instructions



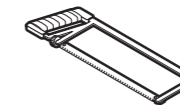
Tools You Will Need



Adjustable Wrench



Adjustable Pliers



Hacksaw



Teflon Tape



Screwdriver

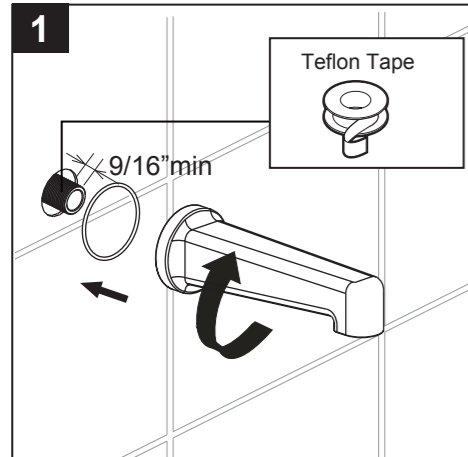
For ease of installation of you will need:

- To read all the installation instructions completely before beginning.
- To read all warnings, care, and maintenance information.

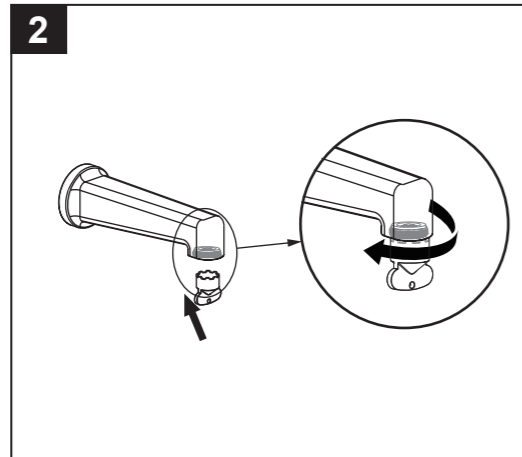
Before beginning installation, check for any damage that may have occurred during transport.

Note: Damage claims cannot be made during or after installation.

Installation Instructions



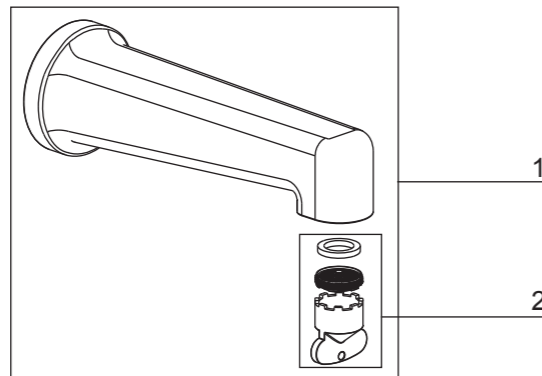
Apply teflon tape to the tub spout nipple and thread on wall tub spout.



Remove tub spout flow guide with key and flush out debris.

Replacement Parts

No.	Description	Part No.
1	Spout Assembly	9Q238900
2	Spout flow guide and key	9Q1110PL



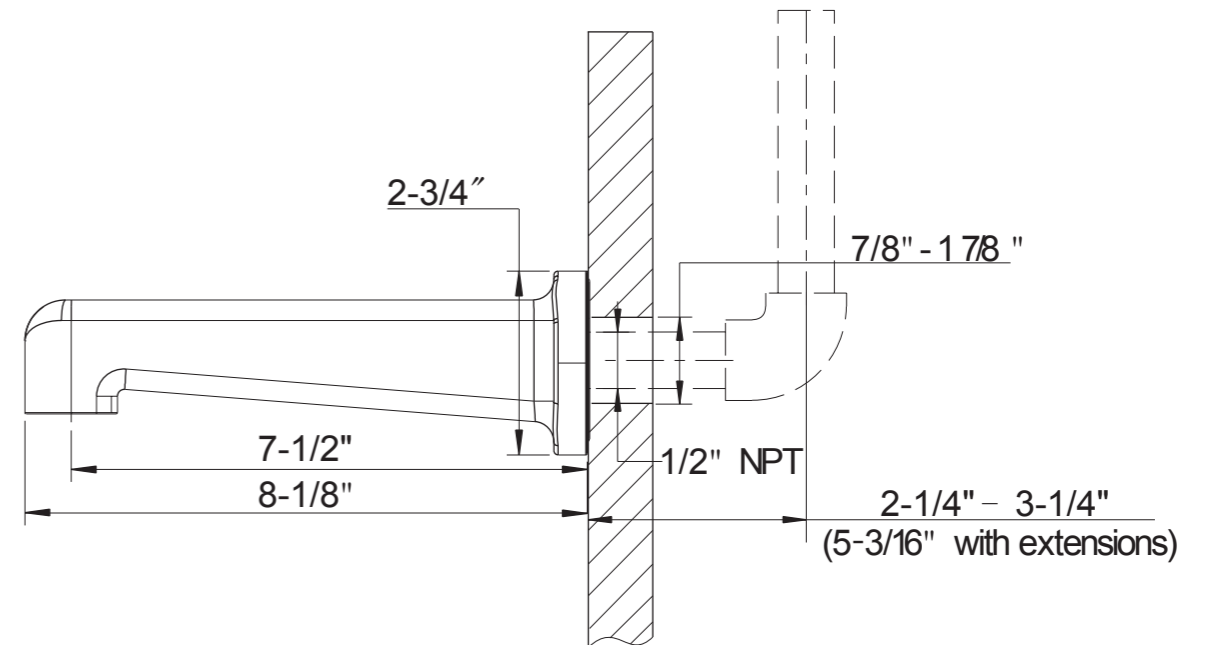
Applicable Standards/Codes

IAPMO certified to meet or exceed the following:

- ASME A112.18.1/CSA B125.1
- Uniform Plumbing Code
- National Plumbing Code of Canada
- EPA WaterSense
- ADA Compliant



Installation Dimensions



Cleaning Instructions

Rinse away any traces of soap and gently dry with a clean, soft cloth after each use. Rinse completely with water and dry any overspray. This will maintain the finish and avoid water spotting.
 To remove mineral deposits, use a 50/50 solution of white vinegar and water. Do not allow the solution to soak on the product.
 Simichrome Polish® contains a protective film to enhance maintenance and is helpful in preventing water spot buildup. Follow instructions to ensure optimum results.
 Never use an abrasive material such as a brush or scouring pad to clean the surface. The use of abrasive cleaners, cleansers or disinfectants will alter the surface finish and void the warranty.
 Do not allow certain materials such as toothpaste, cologne, shaving cream, nail polish remover, vinegar, wine, drain and glass cleaners to remain on the surface. Prolonged contact will alter surface finishes and void the warranty.
We DO NOT recommend using any household cleaners as many can cause damage to the finish.
 Please see the website for care instructions for specific finishes.

Warranty -This **Crosswater London** product is covered by a limited lifetime warranty. For full details, terms and conditions please visit our website.
 For further information contact: **Crosswater London**, 393 Fortune Blvd., Milford, MA 01757 www.crosswaterlondon.com
 Toll free number: 844-XWATER-1 (844-992-8371) tel: 508-381-0433 fax: 508-381-6068 email: technical@crosswaterlondon.com