

Widespread Lavatory Faucet Installation Instructions

CALIFORNIA FAUCETS RECOMMENDS THAT ALL PLUMBING PRODUCTS BE INSTALLED BY A LICENSED PROFESSIONAL

IMPORTANT: Read all instructions prior to installation and provide copy of instructions to consumer.

Operating Specifications:

Recommended Supply Pressure: 20 to 70 psi*†

Maximum Flow Rate: 1.2 gpm

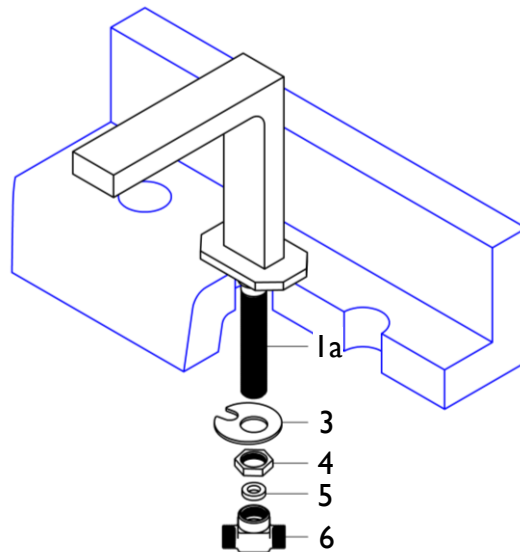
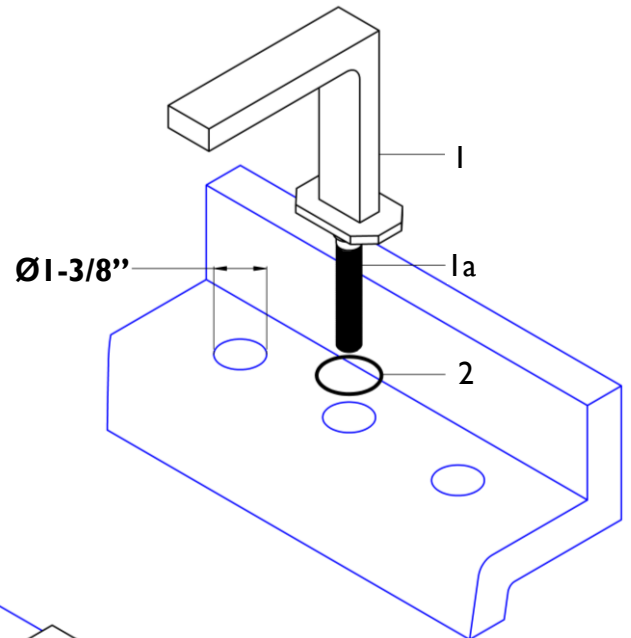
* Operating pressures between hot and cold supplies should vary no more than 30 psi.

† If water pressure exceeds 70 psi, install a Pressure-Reducing Valve (PRV).

I INSTALLING SPOUT TO SINK/DECK

- Sink/Deck recommended hole size shall be **Ø1-3/8"**
- Place O-RING (2) onto spout SPOUT (1)
- Insert spout SHANK (1a) through sink/deck hole
- From underside, place SLOTTED WASHER (3) onto spout SHANK (1a) and tighten SPOUT (1) into place with NUT (4)
- Insert RUBBER WASHER (5) into TEE (6) and attach to spout SHANK (1a)

IMPORTANT: TEE (6) should be tightened to create watertight seal and positioned to allow ease of attachment of valve hoses



2

INSTALLING VALVE

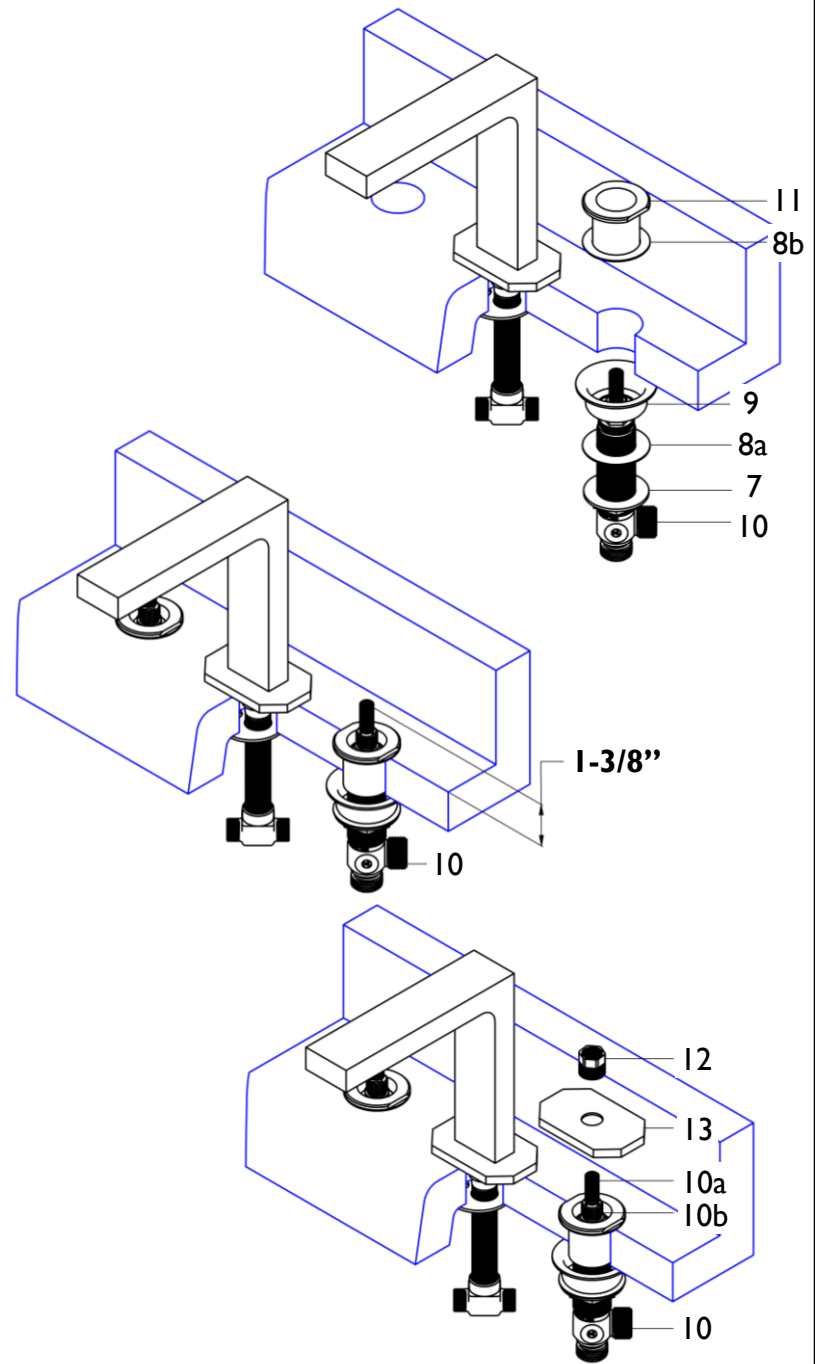
- From underneath insert VALVE (10) through appropriate sink/deck hole

IMPORTANT: VALVES (10) are labeled as follows:

BLUE is **COLD** left turning (counter-clockwise) closed

RED is **HOT** right-turning (clockwise) closed

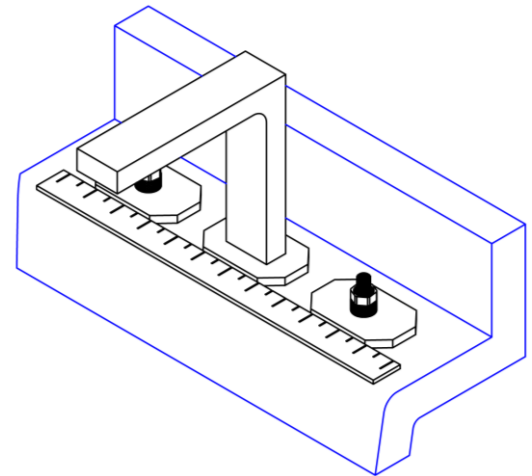
- Position flange NUT (7), WASHER (8a), & cup SPACER (9) so that VALVE (10) extends above sink/deck surface 1-3/8"
- Secure VALVE (10) with inverted NUT (11) and WASHER (8b)
- Place handle BASE (13) onto valve STEM (10a)
- Tighten lock NUT (12) onto valve THREADS (10b)



3

ALIGNMENT OF BASES

- Use a ruler or straight edge to align the spout base and base escutcheons of the faucet as shown
- After alignment retighten lock nuts and spout nut



4

INSTALLING HANDLE

C202 Lever Handle

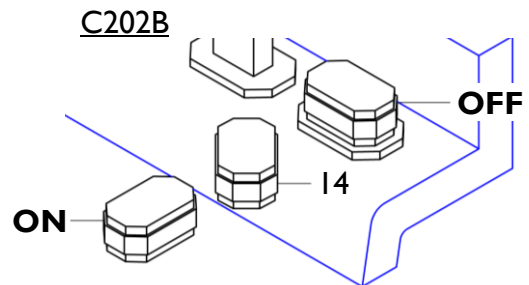
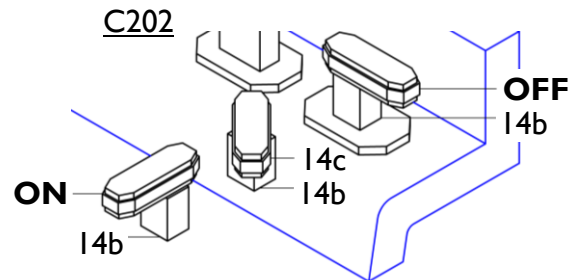
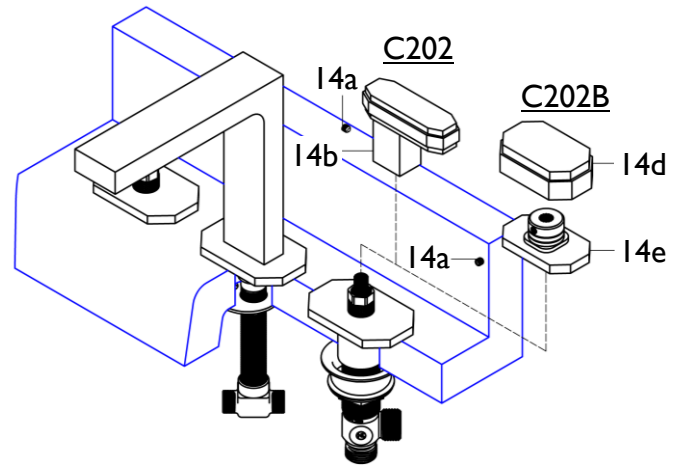
- Loosen SETSCREW (14a) from handle POST (14b)
- Slide POST (14b) onto valve STEM (10a) and tighten SETSCREW (14a) onto handle POST (14b)

C202B Block Handle

- Loosen SETSCREW (14a) from block BOTTOM (14e)
- Slide block BOTTOM (14e) onto valve STEM (10a) and tighten SETSCREW (14a) onto block BOTTOM (14e)
- Place and press down block TOP (14d) onto block BOTTOM (14e)

To obtain proper alignment it may be necessary to rotate VALVE (10) so that handle lever or block is aligned with SPOUT (1). This may be achieved as follows:

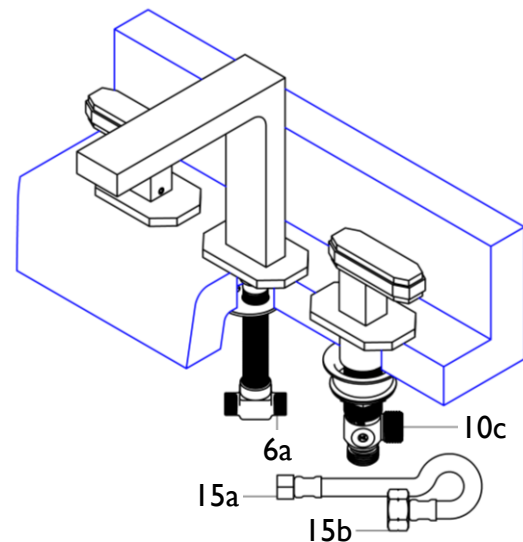
- Slightly loosen lock NUT (12)
- Place LEVER (14c) or block BOTTOM (14e) onto valve STEM (10a)
- Rotate VALVE (10) in proper direction to achieve proper alignment of handle LEVER (14c) or block BOTTOM (14e)
- Remove HANDLE (14) and while firmly holding VALVE (10) in position from underneath securely tighten lock NUT (12)
- Then reattach HANDLE (14) as mentioned above



5

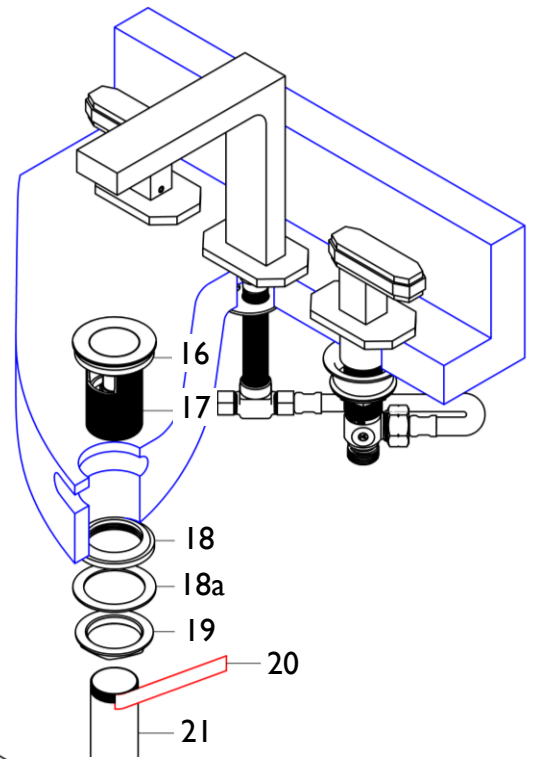
INSTALLING VALVE HOSES

- Attach small hose NUT (15a) to spout TEE (6a)
- Attach large hose NUT (15b) to valve side OUTLET (10c)
- Repeat on other side valve



6 INSTALLING DRAIN

- Slide white foam **WASHER (16)** up under flange of **BODY (17)**
- or -
- Apply thin film of Silicon® sealant (or equivalent – DO NOT use petroleum-based sealant as this WILL void finish warranty) to underside of flange on **BODY (17)**
- Insert **BODY (17)** down through sink drain hole
- From underside, slide **MACH-WASHER (18)** and **FRICTION-WASHER (18a)** up onto **BODY (17)**
- Secure **BODY (17)** into place with flange **NUT (19)**
- Apply Teflon® **TAPE (20)** (not supplied) to threaded portion of **TAILPIECE (21)** & tighten onto **BODY (17)**



7 INSTALLING SUPPLIES LINES

IMPORTANT: Prior to attachment, flush supply lines to remove debris that may cause damage or malfunction to valve cartridge.

The following are two types of supply lines (not included) that may be installed to the valve bodies:

Ballnose riser for exposed application

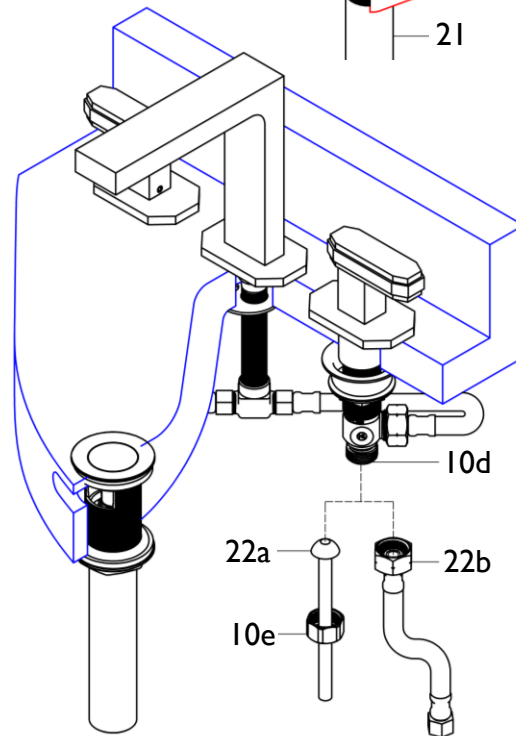
- Install **BALLNOSE RISER (22a)** using valve **NUT (10e)** to secure riser to valve **INLET (10d)**

Flexible riser for non-exposed application

- Discard valve **NUT (10e)** & install **FLEX RISER (22b)** to valve **INLET (10d)**

Final connections

- Attach drain tailpiece to p-trap (not supplied)
- Turn on water supply valves & check for leaks



8 REMOVING AERATOR

- Line up **AERATOR (23)** with supplied aerator **KEY (24)**
- Rotate **KEY (24)** counterclockwise to loosen and remove **AERATOR (23)** from **SPOUT (1)**

