

**30" CHAPMAN SINGLE  
BOWL FARMER SINK**

Cat. No  
FSSB1102



Interior-view

W: 30"  
D: 18"  
H: 10-1/4"

**Interior Dimensions:**

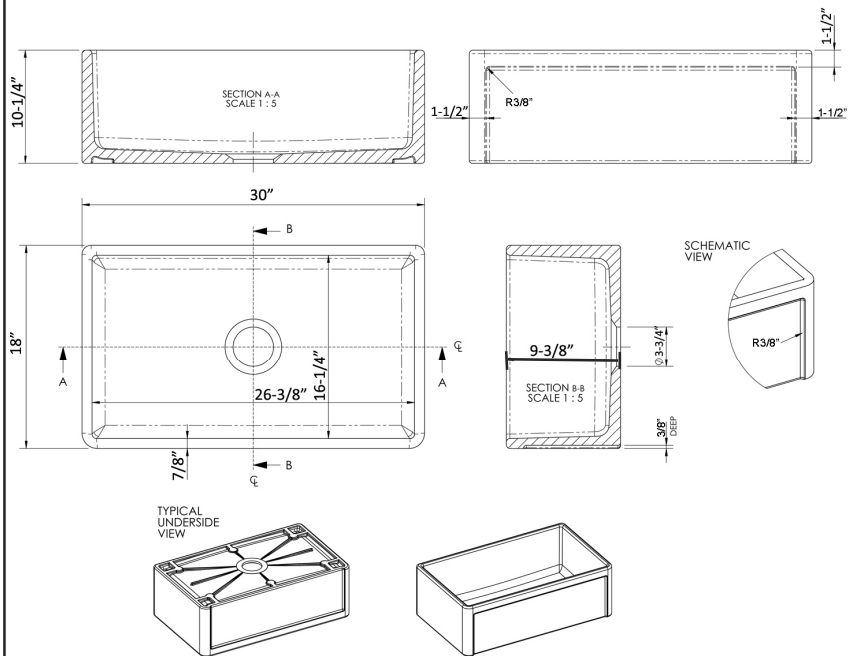
Basin Interior: 28-3/8" x 16-1/4"  
Basin Depth: 9-3/8"

**Features:**

- ▶ Constructed of fine fireclay for beauty and durability
- ▶ Features frame front, smooth plain front on opposite side
- ▶ Center drain
- ▶ Fireclay provides a smooth, waveless surface
- ▶ Non-porous surface resists heat, stains and cracking
- ▶ 7/8" rim
- ▶ Accommodates 3-1/2" drain
- ▶ IAMPO approved
- ▶ Glazed on 4 sides

**Colors**

WH White



Dimensions of fixture are nominal and may vary within the range of tolerances established by ANSI Standard A112.19.2. Dimensions and specifications subject to change without notice.